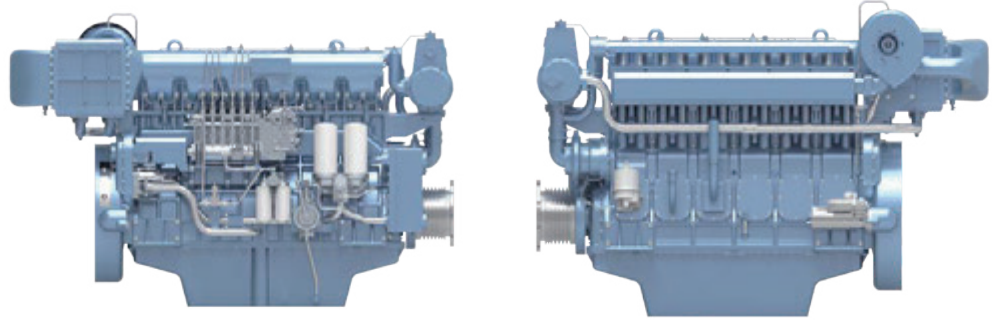


6170



Technical Data

Engine Model	X6170ZC450-1	X6170ZC540-2	X6170ZC580-3	X6170ZC620-5	X6170ZC818-5
Rated Power, Hp(kw)	450(330)	540(397)	580(426)	620(456)	818(601)
Rated Speed (rpm)	1000	1200	1350	1500	1500
Power Rating	P1				
Min. Fuel Consumption, g/(kW·h)	195				
Number of Cylinders & Configuration	in-line 6				
Description	4-stroke, direct-injected, turbocharged diesel engine with air cooler				
Bore x Stroke, mm	170 x 200 mm				
Displacement, L	27.24 L				
Compression Ratio	15.1:1				
Dry Weight, kg	3100 kg				
Emission	IMO Tier II				
Firing Order	1-5-3-6-2-4				
Idle Speed, r/min	450	500	550	600	600
Flywheel housing/Flywheel	SAE 0/14", 16" veya 18"				

Class Definition

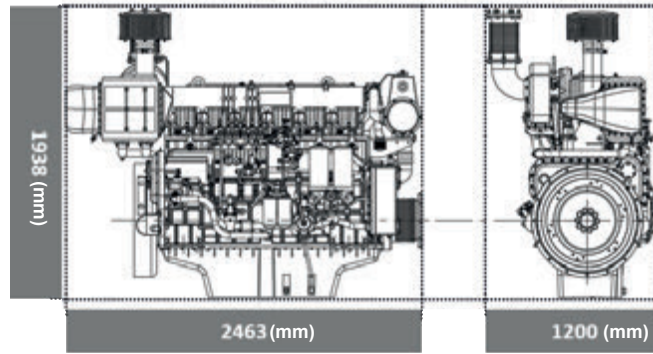
Power Classification	Time at full load	Mean Engine Load Factor	Annual Working Time
P1 Continuous Duty	Unlimited	70% ~ 100%	recommended but not limited to 5000h-8000h
P2 Heavy Duty	8h per 12h	40% ~ 80%	recommended but not limited to 5000h
P3 Intermittent Duty	4h per 12h	40% ~ 80%	recommended but not limited to 3000h
P4 Light Duty	2h per 8h	60%	recommended but not limited to 1000h
P5 High Performance Duty	0.5h per 5h	60%	recommended but not limited to 500h

Power Definition

Standard ISO 3046-1

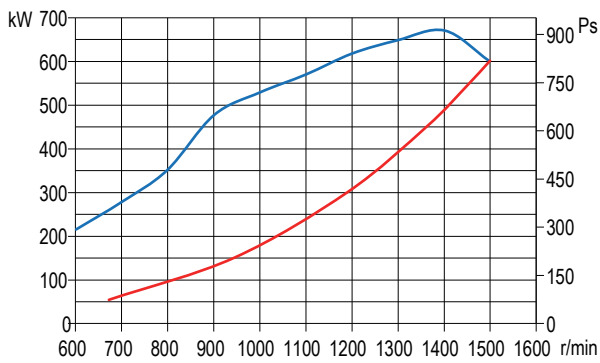
6170

Engine Dimensions (mm)

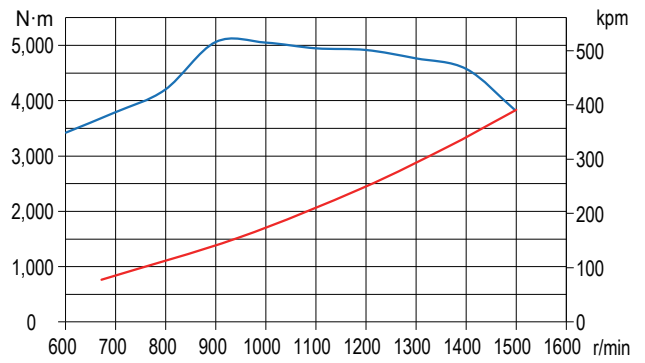


Performance Curves (X6170ZC818-5)

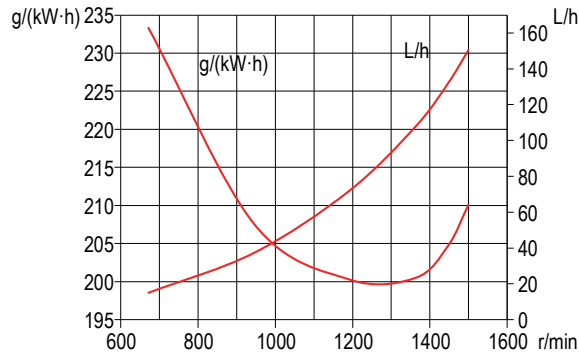
Power



Torque



Fuel Consumption



— Full load speed characteristics — Propeller characteristics