

6WH25



Technical Data

Engine Model	6WH25LC2000-7.5	6WH25LC2204-9	6WH25LC2448-9	6WH25LC2448-1	6WH25LC2734-1
Rated Power, Hp(kw)	2000(1470)	2204(1620)	2448(1800)	2448(1800)	2734(2010)
Rated Speed (rpm)	750	900	900	1000	1000
Power Rating	P1				
Min. Fuel Consumption, g/(kW·h)	185				
Number of Cylinders & Configuration	in-line 6				
Description	4-stroke, direct-injected, turbocharged diesel engine with air cooler				
Bore x Stroke, mm	250 x 330 mm				
Displacement, L	97.2 L				
Compression Ratio	15.7:1				
Dry Weight, kg	16800 kg				
Emission	IMO Tier II				
Firing Order	1-4-2-6-3-5				
Idle Speed, r/min	300	360	360	400	400
Flywheel housing/Flywheel	Φ870				

Class Definition

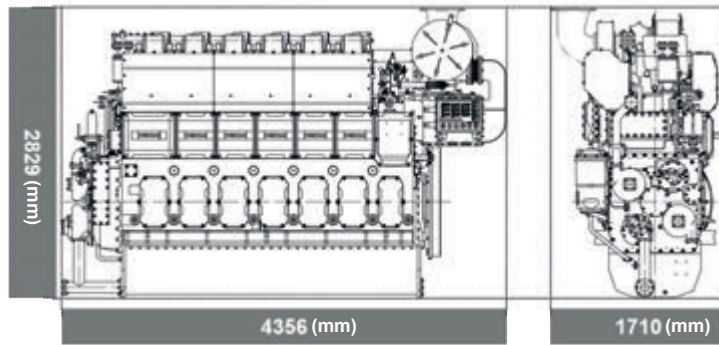
Power Classification	Time at full load	Mean Engine Load Factor	Annual Working Time
P1 Continuous Duty	Unlimited	70% ~ 100%	recommended but not limited to 5000h-8000h
P2 Heavy Duty	8h per 12h	40% ~ 80%	recommended but not limited to 5000h
P3 Intermittent Duty	4h per 12h	40% ~ 80%	recommended but not limited to 3000h
P4 Light Duty	2h per 8h	60%	recommended but not limited to 1000h
P5 High Performance Duty	0.5h per 5h	60%	recommended but not limited to 500h

Power Definition

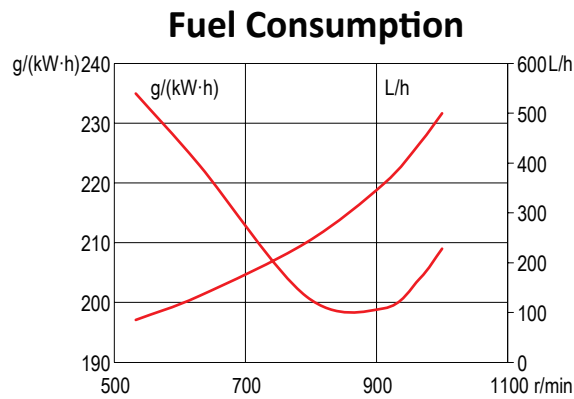
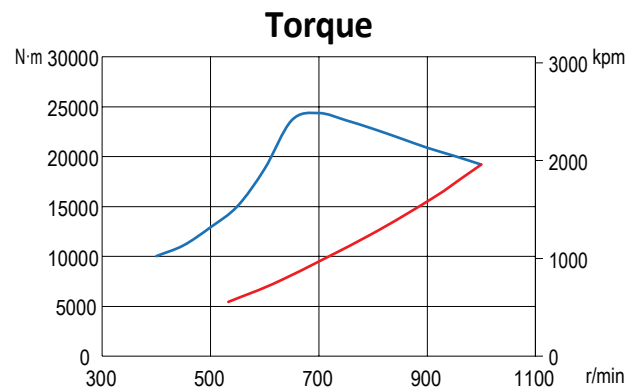
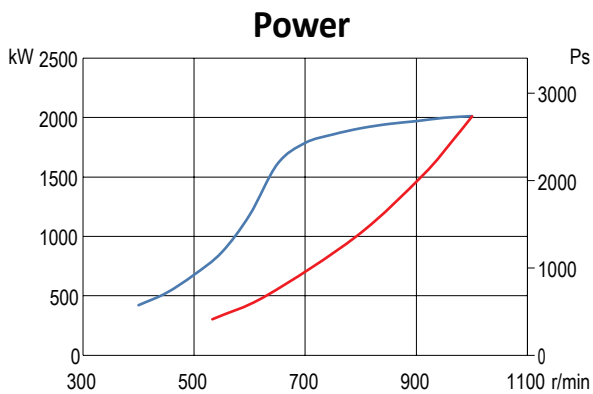
Standard ISO 3046-1

6WH25

Engine Dimensions (mm)



Performance Curves (6WH25LC2734-1)



— Full load speed characteristics — Propeller characteristics