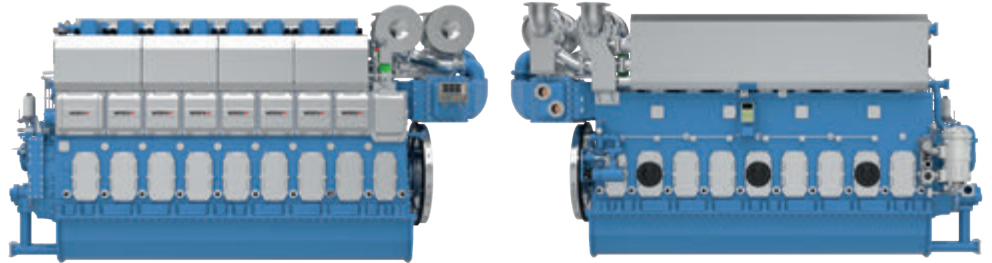


8WH25



Technical Data

Engine Model	8WH25LC2500-7.5	8WH25LC2720-7.5	8WH25LC3000-9	8WH25LC3300-9	8WH25LC3265-1	8WH25LC3645-1
Rated Power, Hp(kw)	2500(1838)	2720(2000)	3000(2207)	3300(2427)	3265(2400)	3645(2680)
Rated Speed (rpm)	750	750	900	900	1000	1000
Power Rating	P1					
Min. Fuel Consumption, g/(kW·h)	185					
Number of Cylinders & Configuration	in-line 8					
Description	4-stroke, direct-injected, turbocharged diesel engine with aircooler					
Bore x Stroke, mm	250 x 330 mm					
Displacement, L	97.2 L					
Compression Ratio	15.7:1					
Dry Weight, kg	16800 kg					
Emission	IMO Tier II					
Firing Order	1-3-7-4-8-6-2-5					
Idle Speed, r/min	300	300	360	360	400	400
Flywheel housing/Flywheel	Φ870					

Class Definition

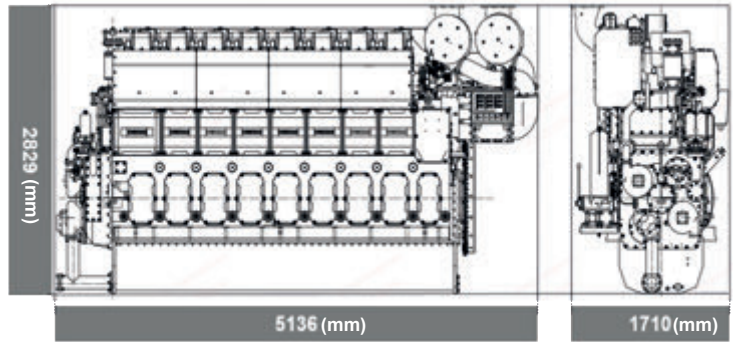
Power Classification	Time at full load	Mean Engine Load Factor	Annual Working Time
P1 Continuous Duty	Unlimited	70% ~ 100%	recommended but not limited to 5000h-8000h
P2 Heavy Duty	8h per 12h	40% ~ 80%	recommended but not limited to 5000h
P3 Intermittent Duty	4h per 12h	40% ~ 80%	recommended but not limited to 3000h
P4 Light Duty	2h per 8h	60%	recommended but not limited to 1000h
P5 High Performance Duty	0.5h per 5h	60%	recommended but not limited to 500h

Power Definition

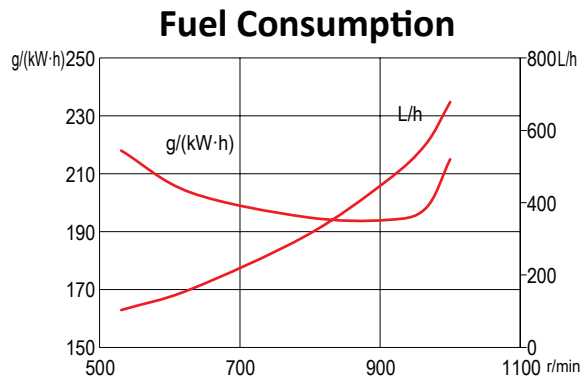
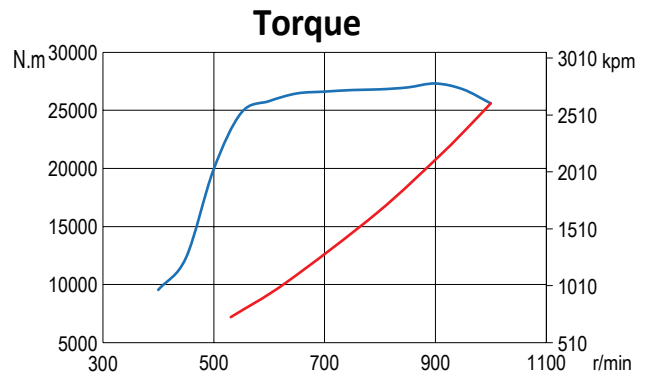
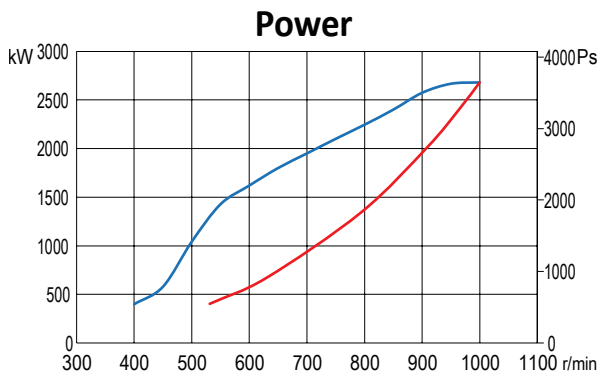
Standard ISO 3046-1

8WH25

Engine Dimensions (mm)



Performance Curves (8WH25LC3645-1)



— Full load speed characteristics — Propeller characteristics