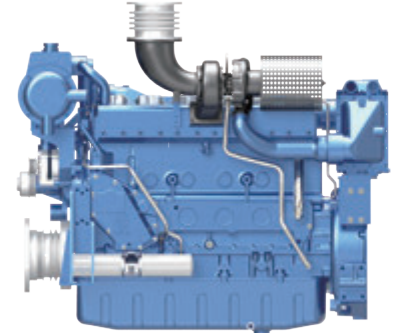
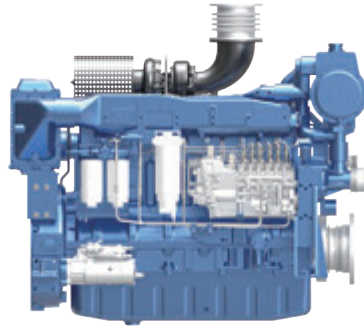


# WD12



### Technical Data

Engine Model	WD12C300-15	WD12C327-15	WD12C350-18	WD12C375-21	WD12C400-21
Rated Power, Hp(kw)	300(220)	327(240)	350(258)	375(275)	400(294)
Rated Speed (rpm)	1500	1500	1800	2150	2150
Power Rating	P1				
Min. Fuel Consumption, g/(kW·h)	198				
Number of Cylinders & Configuration	in-line 6				
Description	4-stroke, direct-injected, turbocharged diesel engine with air cooler				
Bore x Stroke, mm	126 x 155 mm				
Displacement, L	11.596 L				
Compression Ratio	17:1				
Dry Weight, kg	1100 kg				
Emission	IMO Tier II				
Firing Order	1-5-3-6-2-4				
Idle Speed, r/min	650±50				
Flywheel housing/Flywheel	SAE 1/14"				

### Class Definition

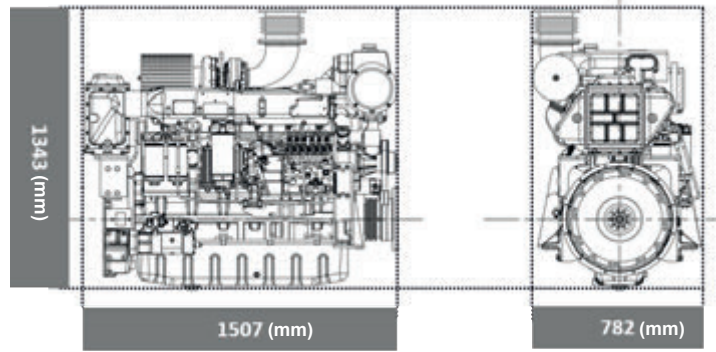
Power Classification	Time at full load	Mean Engine Load Factor	Annual Working Time
P1 Continuous Duty	Unlimited	70% ~ 100%	recommended but not limited to 5000h-8000h
P2 Heavy Duty	8h per 12h	40% ~ 80%	recommended but not limited to 5000h
P3 Intermittent Duty	4h per 12h	40% ~ 80%	recommended but not limited to 3000h
P4 Light Duty	2h per 8h	60%	recommended but not limited to 1000h
P5 High Performance Duty	0.5h per 5h	60%	recommended but not limited to 500h

### Power Definition

Standard ISO 3046-1

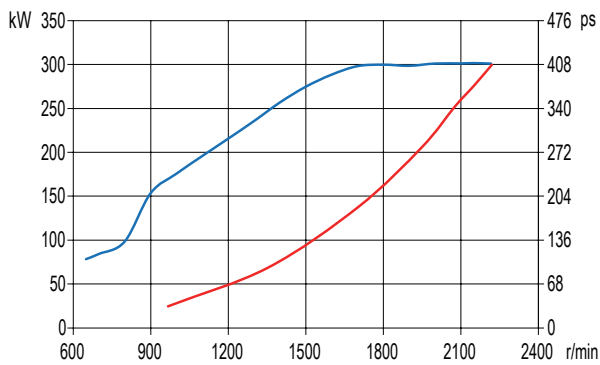
## WD12

### Engine Dimensions ( mm )

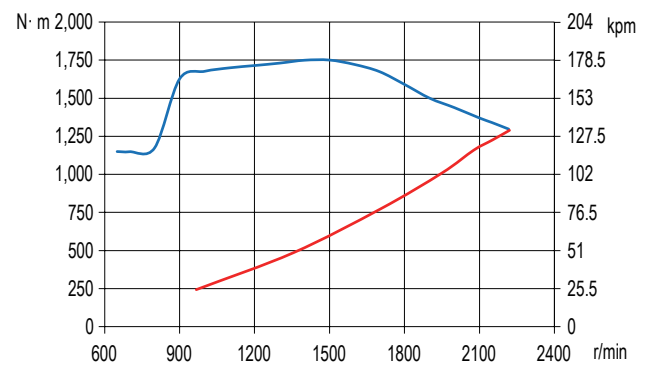


### Performance Curves (WD12C400-21)

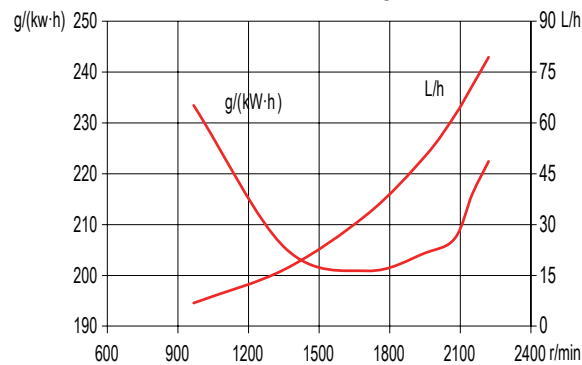
#### Power



#### Torque



#### Fuel Consumption



— Full load speed characteristics — Propeller characteristics